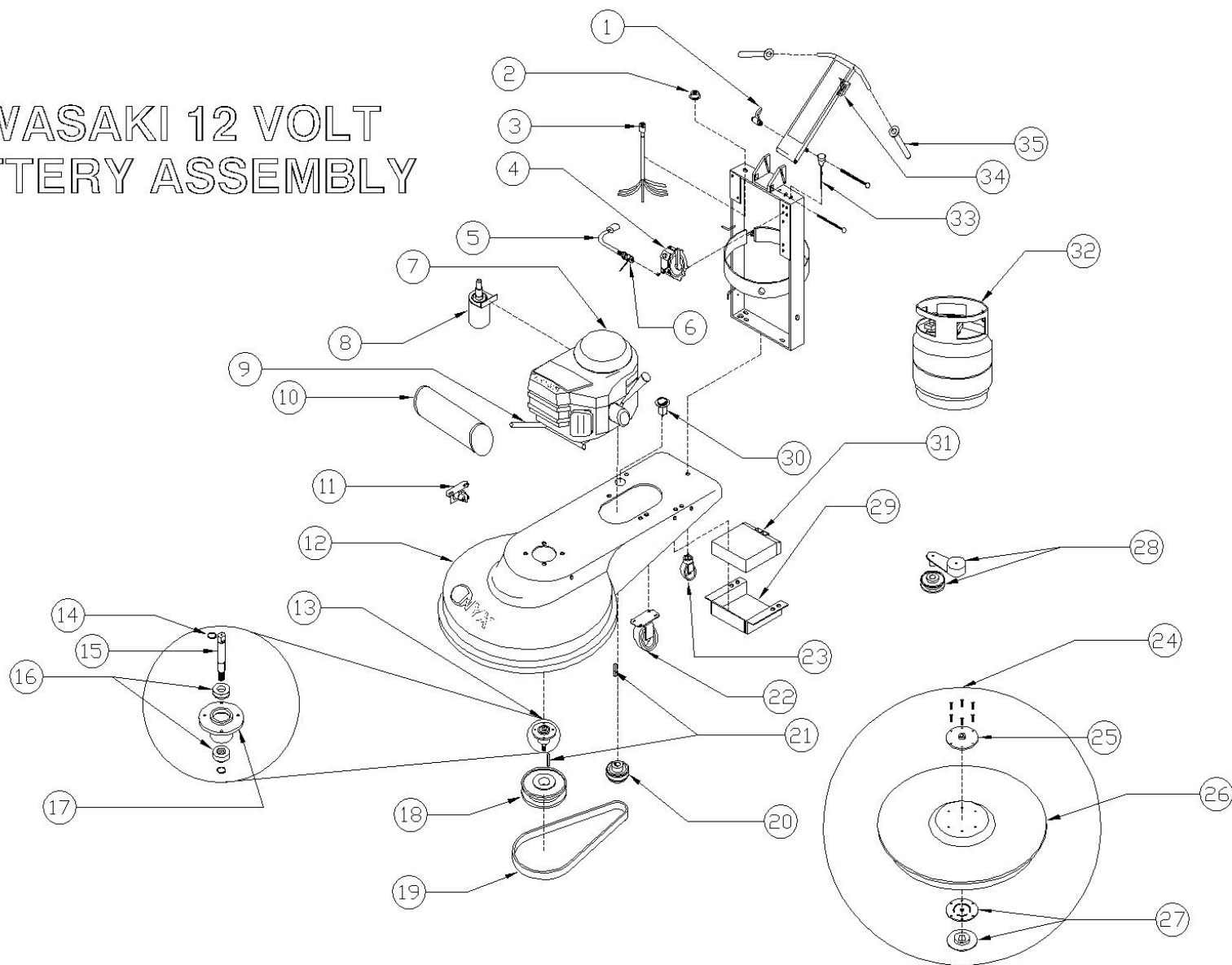


# KAWASAKI 12 VOLT BATTERY ASSEMBLY





## KAWASAKI 12 VOLT BATTERY BUFFER

REF #	PART #	PART DESCRIPTION	QTY
1	W4020	Bottle Carrier Adjustment Handle	1
2	W1301	Ignition Switch	1
3	W1302	Ignition Switch Harness	1
4	N-51-2A-C-3.0 (W2606)	Regulator	1
5	W2649C	12" Hose Assembly w/ Regulator Valve	1
6	W2608	Electric Fuel Lock-off	1
7	W3105	13 Hp Kawasaki Twin Engine	1
	W3102	17 Hp Kawasaki Twin Engine	
8	K21163-7010	12 Volt Starter	1
9	W3225	17 Hp Kawasaki Manifold	1
	W3235	13 Hp Kawasaki Manifold	
10	W3260	Muffler	1
	W3220	Cat	1
11	W1305	Solenoid 12V	1
12	W5021	21" Deck	1
	W5024	24" Deck	
	W5027	27" Deck	
13	W1066A	Front Bearing Assembly	1
14	F68019	Snap Ring	2
15	W1007	Shaft	1
16	W1055	Bearing	2
17	W1060	Aluminum Housing	1
18	W2060	6" Pulley	1
	W2075	7.5" Pulley	
	W2085	8.8" Pulley	
19	WB43	43" Belt	1
	WB51	51" Belt	
20	W2035	3.5" Pulley	1
21	F47913	Key stock	2
22	W4211	Standard Wheel Bracket	2
	W4220	Rubber Wheel 6 x 1.5"	2
	W4221	Axel Kit for W4220	2
23	W4240	Rear Caster	1
24	W1510A	21" Standard Pad Driver	1
	W1511A	27" Standard Pad Driver	
	W1512A	24" Standard Pad Driver	
25	W1011	Standard Pad Driver Shaft Plate 5"	1
26	W1510	21" Flex Lok Riser	1
	W1511	27" Flex Lok Riser	
	W1512	24" Flex Lok Riser	
27	W1501	Pad Driver Center-Lok 3"	1
28	W1101	Fenner Rotary Tensioner	1
29	W4270	Battery Tray	1
30	W4302	Hour Meter	1
31	W4350	Battery 12V 18 AH	1
32	W2502	Propane Tank 80% Steel	1
33	W4134	Choke Cable 48"	1
34	W4110	Throttle Cable 53"	1
35	W4050	Hand Grip	2