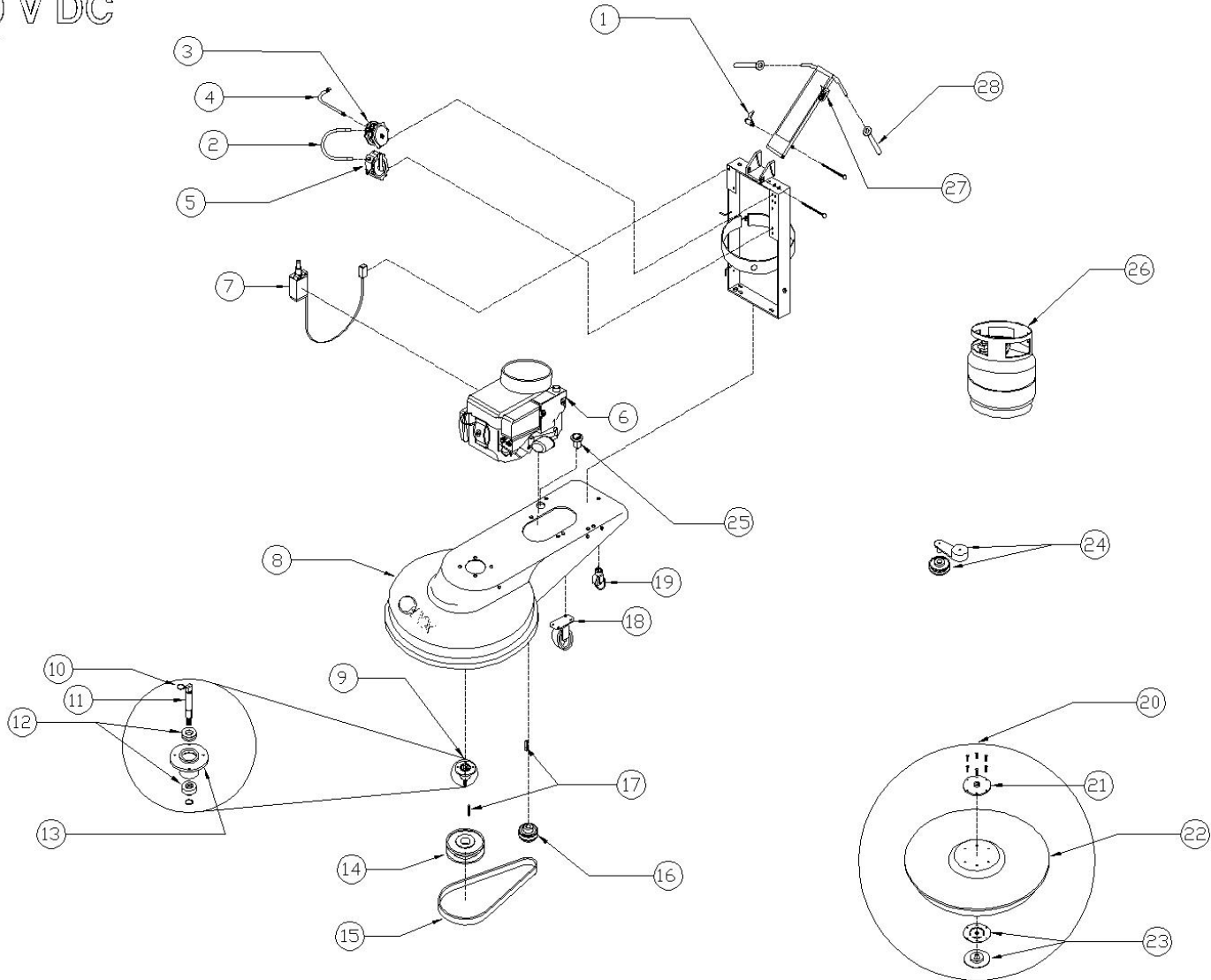


HONDA 110 V DC ASSEMBLY





HONDA 110 VOLT DC BUFFER

REF #	PART #	PART DESCRIPTION	QTY
1	W4020	Bottle Carrier Adjustment Handle	1
2	W2649A	110 V 14" Fuel Hose w/ Swivel	1
3	N00-0125A (W2607)	Vacuum Fuel Lock-off	1
4	W2649-B	14" Hose Assembly w/ Regulator Valve	1
5	N-51-2A-C-3.0 (W2606)	Regulator	1
6	W3001-A	11 Hp Honda Engine	1
	W3002-A	13 Hp Honda Engine	
7	W3011	Honda Starter 110 Volt DC	1
8	W5021	21" Deck	1
	W5024	24" Deck	
	W5027	27" Deck	
9	W1066A	Front Bearing Assembly	1
10	F68019	Snap Ring	2
11	W1007	Shaft	1
12	W1055	Bearing	2
13	W1060	Aluminum Housing	1
14	W2060	6" Pulley for 21" Buffer	1
	W2075	7.5" Pulley for 24" Buffer	
	W2085	8.8" Pulley for 27" Buffer	
15	WB43	43" Belt	1
	WB51	51" Belt	
16	W2035	3.5" Pulley	1
17	F47913	Key stock	2
18	W4211	Standard Wheel Bracket	2
	W4220	Rubber Wheel 6 x 1.5"	2
	W4221	Axle Kit for W4220	2
19	W4240	Rear Caster	1
20	W1510A	21" Standard Pad Driver	1
	W1511A	27" Standard Pad Driver	
	W1512A	24" Standard Pad Driver	
21	W1011	Standard Pad Driver Shaft Plate 5"	1
22	W1510	21" Flex Lok Riser	1
	W1511	27" Flex Lok Riser	
	W1512	24" Flex Lok Riser	
23	W1501	Pad Driver Center-Lok 3"	1
24	W1101	Fenner Rotary Tensioner	1
25	W4302	Hour Meter	1
26	W2502	Propane Tank 80% Steel	1
27	W4110	Throttle Cable 53"	1
28	W4050	Hand Grip	2