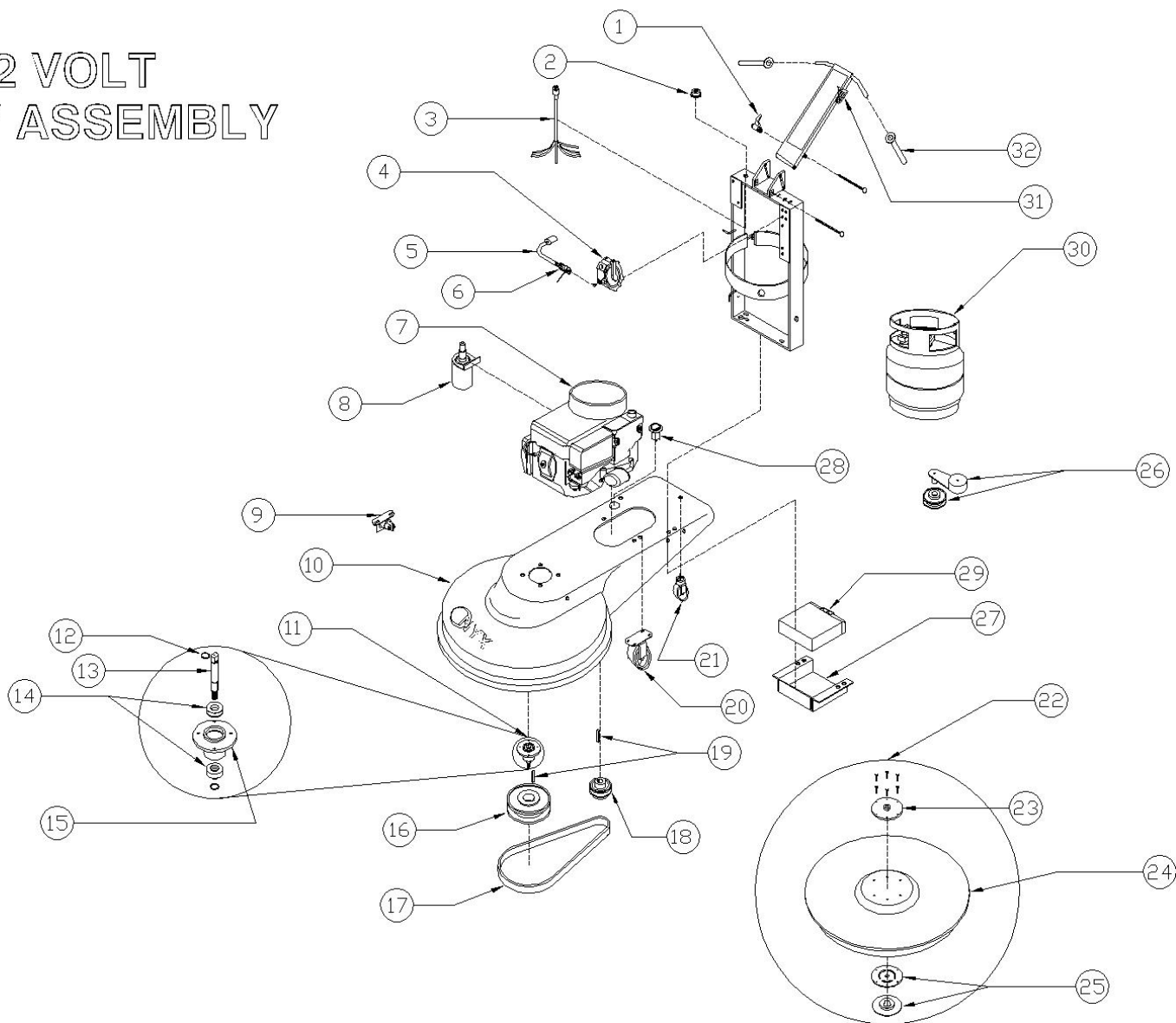


HONDA 12 VOLT BATTERY ASSEMBLY





HONDA 12 VOLT BATTERY BUFFER

REF #	PART #	PART DESCRIPTION	QTY
1	W4020	Bottle Carrier Adjustment Handle	1
2	W1301	Ignition Switch	1
3	W1302	Ignition Switch Harness	1
4	N-51-2A-C-3.0 (W2606)	Regulator	1
5	W2649C	12" Hose Assembly w/ Regulator Valve	1
6	W2608	Electric Fuel Lock-off	1
7	W3001-B	11 Hp Honda Engine	1
	W3002-B	13 Hp Honda Engine	
8	W3012	Honda Starter 12 V	1
9	W1305	Solenoid 12V	1
10	W5021	21" Deck	1
	W5024	24" Deck	
	W5027	27" Deck	
11	W1066A	Front Bearing Assembly	1
12	F68019	Snap Ring	2
13	W1007	Shaft	1
14	W1055	Bearing	2
15	W1060	Aluminum Housing	1
16	W2060	6" Pulley for 21" Buffer	1
	W2075	7.5" Pulley for 24" Buffer	
	W2085	8.8" Pulley for 27" Buffer	
17	WB43	43" Belt	1
	WB51	51" Belt	
18	W2035	3.5" Pulley	1
19	F47913	Keystock	2
20	W4211	Standard Wheel Bracket	2
	W4220	Rubber Wheel 6 x 1.5"	2
	W4221	Axle Kit for W4220	2
21	W4240	Rear Caster	1
22	W1510A	21" Standard Pad Driver	1
	W1511A	27" Standard Pad Driver	
	W1512A	24" Standard Pad Driver	
23	W1011	Standard Pad Driver Shaft Plate 5"	1
24	W1510	21" Flex Lok Riser	1
	W1511	27" Flex Lok Riser	
	W1512	24" Flex Lok Riser	
25	W1501	Pad Driver Center-Lok 3"	1
26	W1101	Fenner Rotary Tensioner	1
27	W4270	Battery Tray	1
28	W4302	Hour Meter	1
29	W4350	Battery 12V 18 AH	1
30	W2502	Propane Tank 80% Steel	1
31	W4110	Throttle Cable 53"	1
32	W4050	Hand Grip	2